

# Digital TV Demodulator for ISDB-T/S MN884433



## ■ Overview

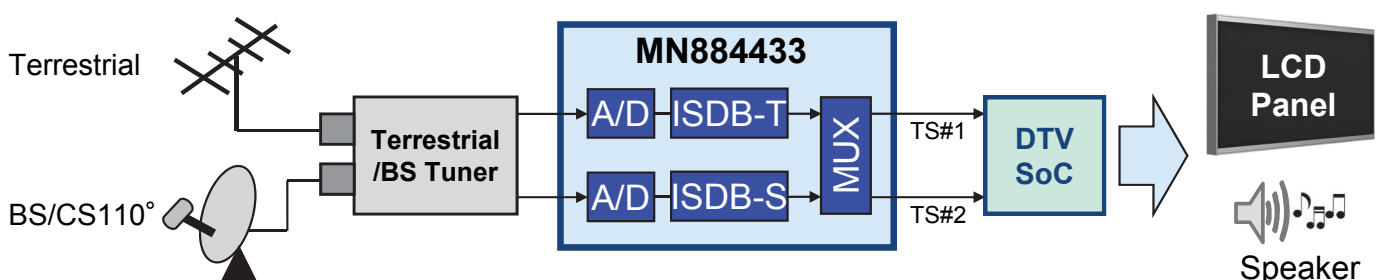
MN884433 is demodulator LSI for terrestrial and BS/CS broadcasts. It supports the broadcast specifications of Japan, South America and others, performing demodulation and error correction and outputting transport streams (TS).

## ■ Features

- Simultaneous reception of digital terrestrial (ISDB-T) and digital BS/CS (ISDB-S)
- Built-in ADC (A/D converter) and deinterleave memory
- Built-in I<sup>2</sup>C bus-compliant CPU interface circuit and tuner control circuit

## ■ Applications

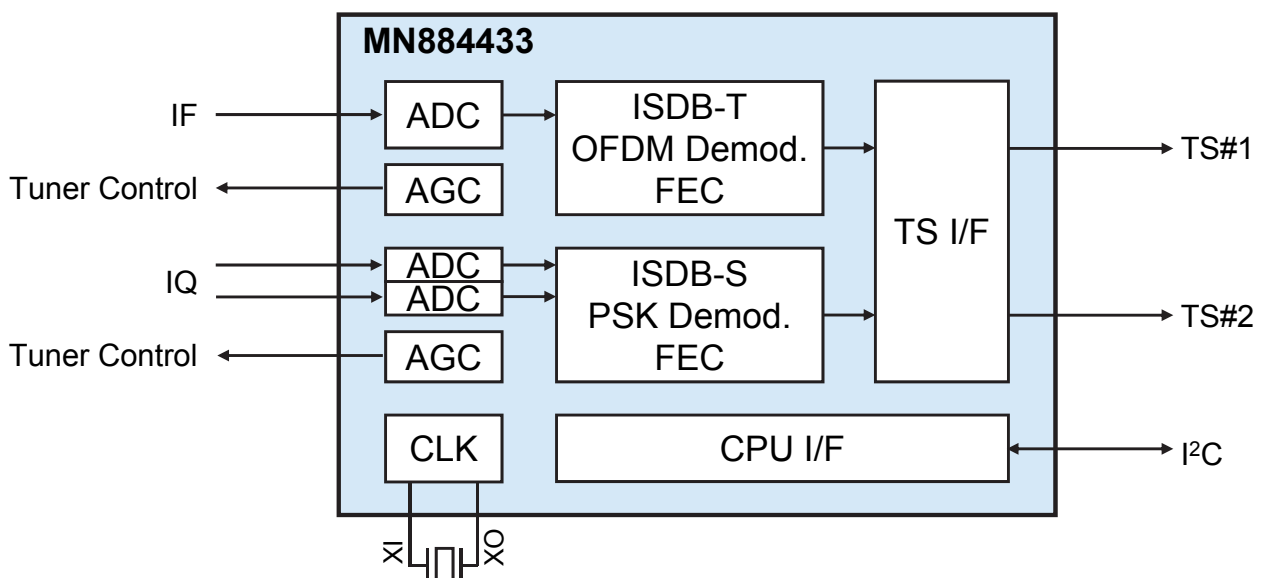
(Digital terrestrial and digital BS/ CS reception system in Japan)



## ■ Specifications

Function		Specifications
<b>Package</b>		TQFP 100-pin Size: 12 mm x 12 mm Lead pitch: 0.4 mm
<b>Supply Voltage</b>	<b>For external</b>	3.3V
	<b>For Internal</b>	1.2V
<b>Input</b>		Terrestrial: Low-IF or High-IF BS/CS: IQ
<b>Output</b>		TS Serial / Parallel
<b>CPU interface</b>		I <sup>2</sup> C bus
<b>ISDB-T</b>	<b>Bandwidth</b>	6, 7, 8 MHz
	<b>FFT size</b>	2K(Mode1), 4K(Mode2), 8K(Mode3)
	<b>Guard interval length</b>	1/32, 1/16, 1/8, 1/4
	<b>Carrier modulation scheme</b>	QPSK, 16QAM, 64QAM, DQPSK
	<b>Convolutional-coding rate</b>	1/2, 2/3, 3/4, 5/6, 7/8
<b>ISDB-S</b>	<b>Symbol rate</b>	28.86 Mbaud
	<b>Modulation scheme</b>	8PSK, QPSK, BPSK
	<b>Convolutional-coding rate</b>	8PSK: 2/3 QPSK: 1/2, 2/3, 3/4, 5/6, 7/8 BPSK: 1/2

## ■ Block Diagram



The Products and product specifications described in this document are subject to change without notice for modification and/or improvement. At the final stage of your design, purchasing, or use of the products, therefore, ask for the most up-to-date Product Standards in advance to make sure that the latest specifications satisfy your requirements. All company names, brand names and trademarks herein are property of their respective owners.

Copyright 2015 Socionext Inc.  
AD04-00070-1E October 2015  
Edited : Visual System Business Unit

### Socionext America, Inc.

1250 E. Arques Ave; MS 335  
Sunnyvale, CA 94085  
[408] 737-5400 | Toll free: [844] 680-3453  
<http://us.socionext.com>  
[SNA\\_inquiry@us.socionext.com](mailto:SNA_inquiry@us.socionext.com)