

# Digital TV Demodulator for ATSC

## MN88436



### ■ Overview

MN88436 is demodulator LSI for terrestrial and cable broadcasts. It supports the broadcast specifications of North America, performing demodulation and error correction and outputting a transport stream (TS).

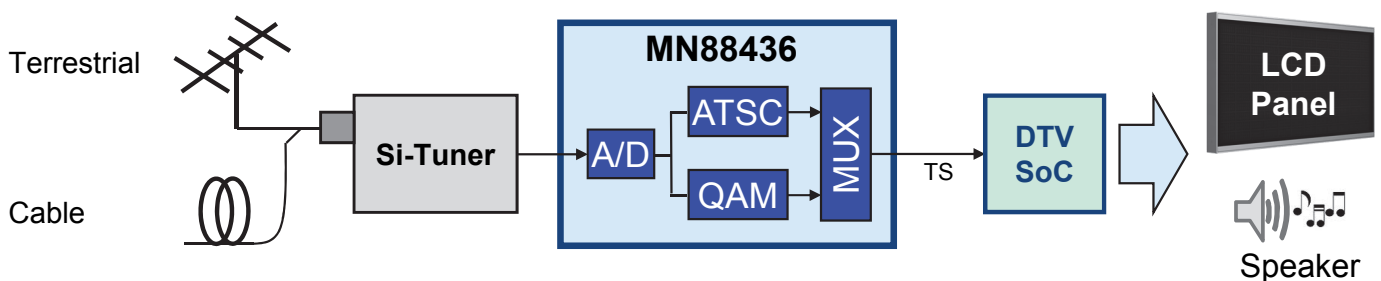
Digital terrestrial broadcasts is compliant with ATSC (Advanced Television Systems Committee) specifications, and digital cable broadcasts is compliant with open cable specifications.

### ■ Features

- Reception of selected digital terrestrial (ATSC)
- Built-in ADC (A/D converter)
- Built-in I<sup>2</sup>C bus-compliant CPU interface circuit and tuner control circuit

### ■ Applications

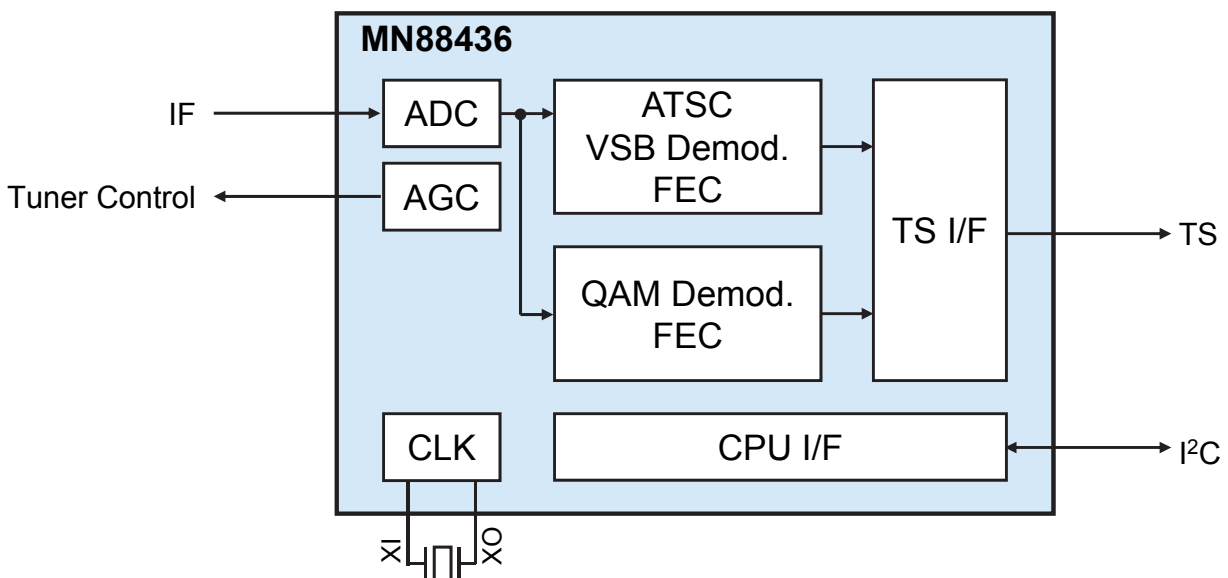
(Digital terrestrial and digital cable reception system in North America)



## ■ Specifications

Function		Specifications
<b>Package</b>		HQFP 48-pin Size: 7 mm x 7 mm Lead pitch: 0.5 mm
<b>Supply Voltage</b>	<b>For external</b>	3.3V
	<b>For Internal</b>	1.2V
<b>Input</b>		Low-IF / High-IF
<b>Output</b>		TS Serial / Parallel
<b>CPU interface</b>		I <sup>2</sup> C bus
<b>ATSC</b>	<b>Modulation scheme</b>	8VSB
	<b>Data rate</b>	19.39 Mbps (8VSB)
	<b>Roll off rate</b>	11.5 %
	<b>Forward error correction</b>	Trellis decoding, Reed-Solomon decoding, De-interleaving, De-randomizer
<b>QAM</b>	<b>Modulation scheme</b>	256QAM, 64QAM
	<b>Data rate</b>	38.81 Mbps / 26.97 Mbps (256QAM / 64QAM)
	<b>Roll off rate</b>	12 % / 18 % (256QAM / 64QAM)
	<b>Forward error correction</b>	Trellis decoding, Sink trailer, De-randomizer, De-interleaving, Reed-Solomon decoding, MPEG framing (ITU-T J.83 Annex B )

## ■ Block Diagram



The Products and product specifications described in this document are subject to change without notice for modification and/or improvement. At the final stage of your design, purchasing, or use of the products, therefore, ask for the most up-to-date Product Standards in advance to make sure that the latest specifications satisfy your requirements. All company names, brand names and trademarks herein are property of their respective owners.

Copyright 2015 Socionext Inc.  
AD04-00072-1E October 2015  
Edited : Visual System Business Unit

### Socionext America, Inc.

1250 E. Arques Ave; MS 335  
Sunnyvale, CA 94085  
[408] 737-5400 | Toll free: (844) 680-3453  
<http://us.socionext.com>  
[SNA\\_inquiry@us.socionext.com](mailto:SNA_inquiry@us.socionext.com)