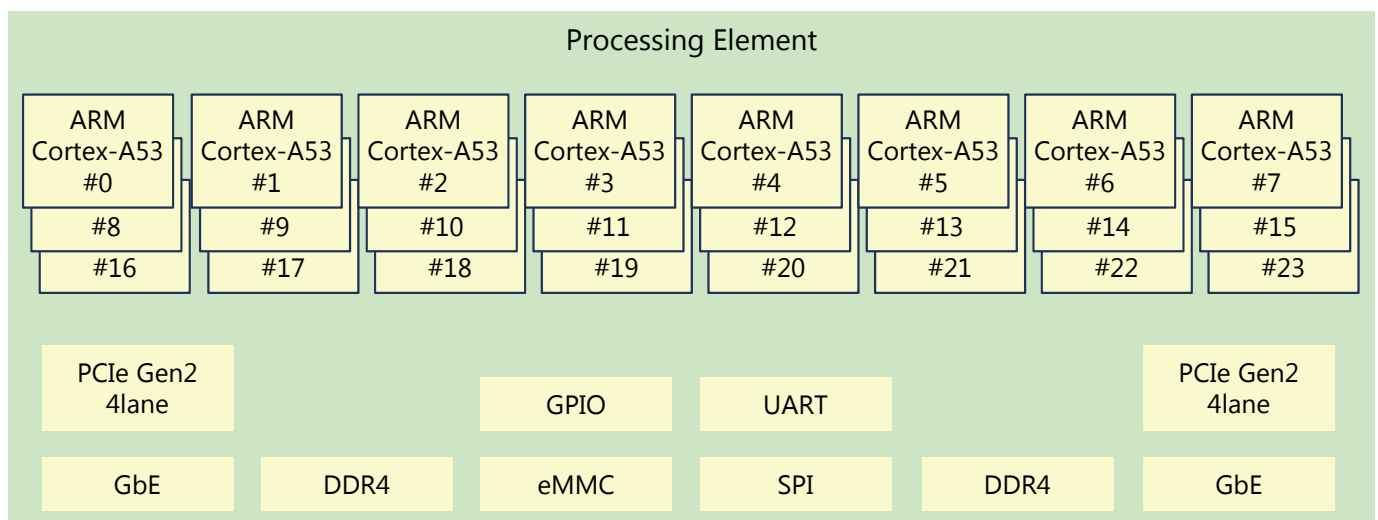
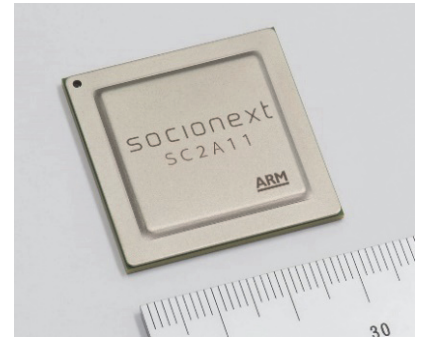


SC2A11: Multi-core high efficiency Processor

■ Overview

“SC2A11” is a multi-core processor with 24 cores of ARM® Cortex-A53. Highly integrated low-power server system can be realized with SC2A11.

SC2A11 is also suitable for edge computing which processes data at the edge of the cloud in the IoT era.

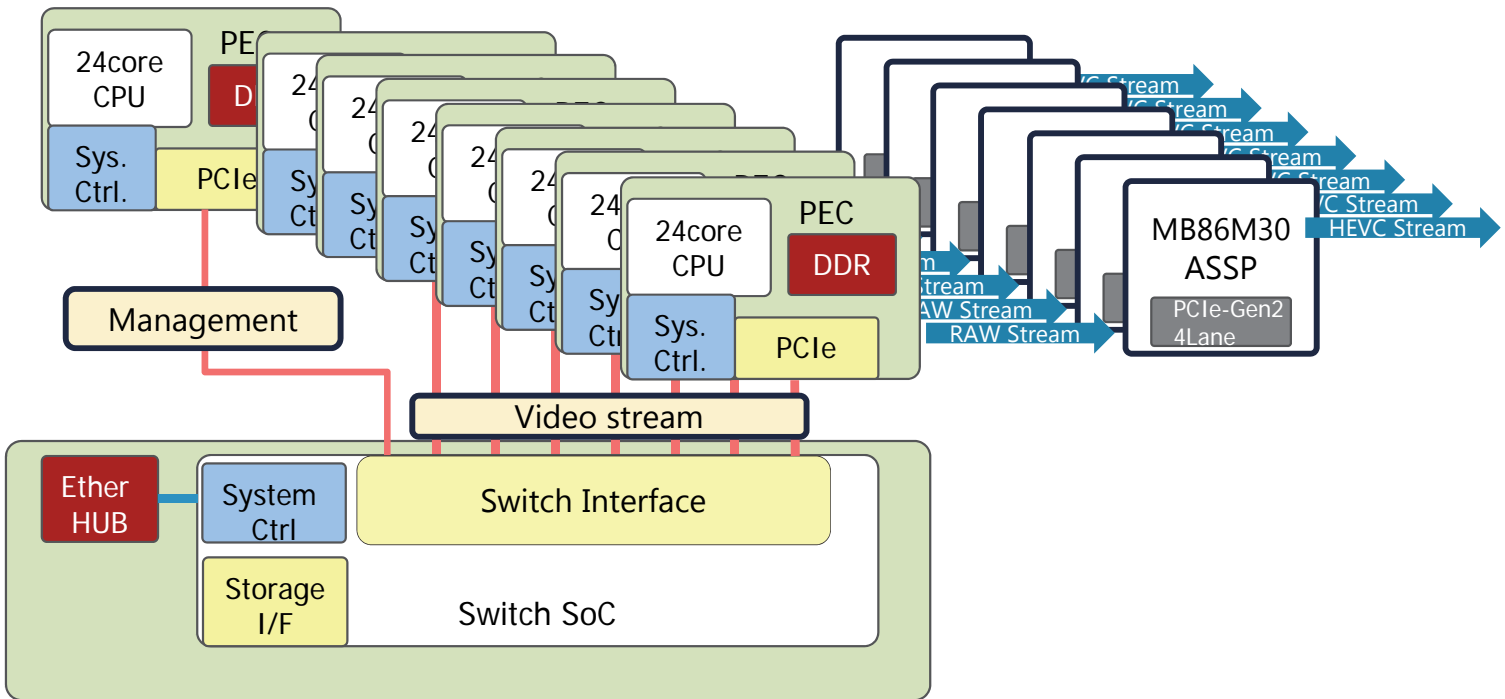


■ Features

- High energy-efficiency processor element is realized with multi-core configuration of ARM Cortex-A53.
- Large amount of data can be processed faster in memory by adopting 64 bit architecture.

Application Example: Media Transcoder System

PEC: Processor Element Card



Specification

Processor	Cortex-A53 MPCore 24cores, 1GHz, L1 I/D=32KB/32KB, L2 =256KB, L3 =4MB
Memory I/F	DDR4-2133Mbps 64-bit + ECC
PCIe	PCI Express Gen2, Root/Endpoint select, 4 lanes (2 systems/ for SoC IF)
LAN	2ch 1Gbps with IPsec Network Offload Engine (wire-speed)
Flash I/F	HSSPI, eMMC
Serial I/F	UART, I2C, GPIO