

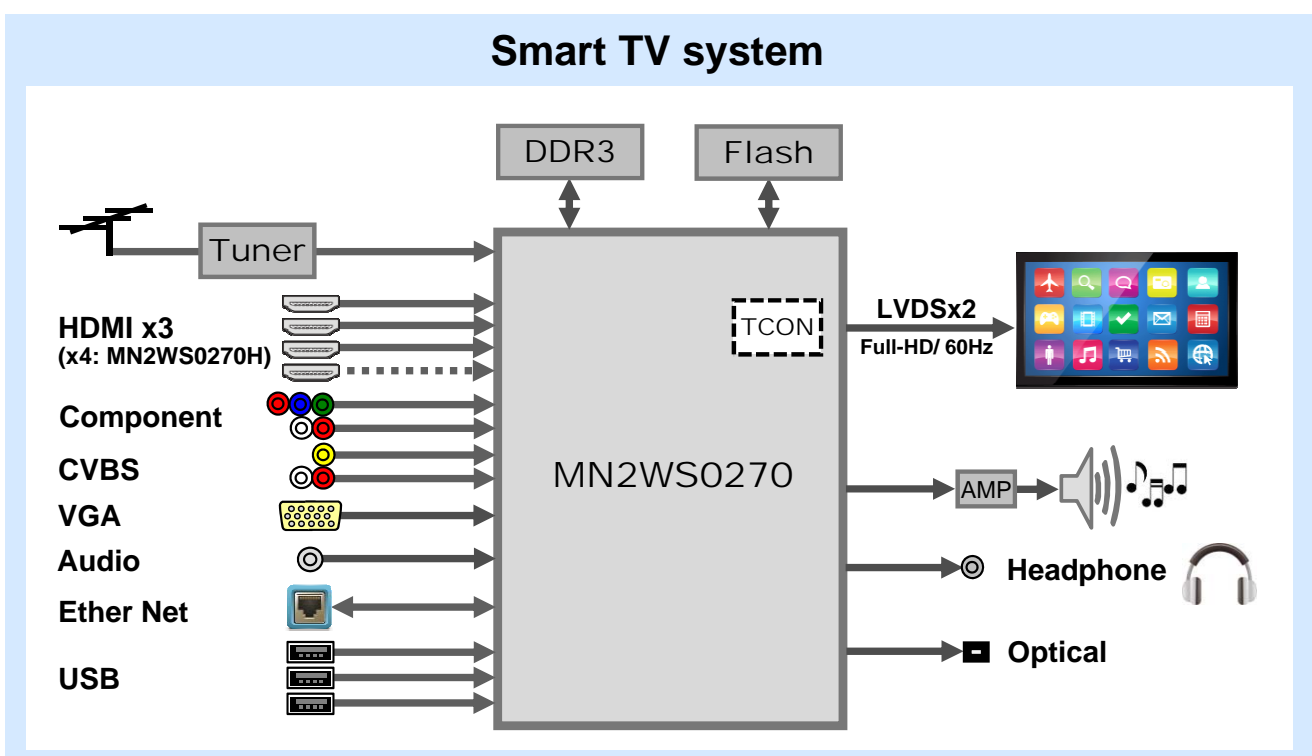
System LSI for world-wide Smart TV system MN2WS0270E/ H (Standard/ High-performance type)



■ Features

- Suitable for standard Smart TV solution
- Integrated flexible TCON and Ethernet-PHY to reduce BOM cost
- Integrated high performance CPU (ARM® Cortex®-A9) and GPU

■ Applications



■ Specifications

■ SoC

- Package: BGA (21x21mm)
- Number of balls: 526
- Ball pitch: 0.8mm
- Power: 1.1/ 1.5/ 3.3V

■ CPU

- ARM® Cortex®-A9
- Up to 600-MHz operation
(Up to 800-MHz: MN2WS0270H)
- Instruction / Data caches: 32 / 32-KB

■ UniPhier® processor (IPP3)

- Up to 600-MHz operation
- Instruction / Data caches: 64 / 64-KB

■ General purpose peripherals

- Timers x17 (WD x1, 16-bit x12, 8-bit x4)
- UART x6
- SPI x1
- I²C x4
- IC card x2
- NAND flash x1
- eMMC flash x1

■ Media I/F

- USB2.0 x3-ports
- SD/SDIO x1-port

■ Video I/O

- Analog input: CVBS x1, RGB/YPbPr/YC x3
- HDMI x3-ports (ver. 1.4a)
(4-ports: MN2WS0270H)
- LVDS x2-links (LVDS, mini-LVDS)

■ Audio I/O

- Analog input: Stereo x4
- Digital input: I²S x1, SPDIF x1
- Analog output: Stereo x1, HP x1
- Digital output: I²S x2, SPDIF x1

■ Graphics processor

- 2D/3D accelerator
- OpenGL ES1.1 compliant
(OpenGL ES1.1/2.0: MN2WS0270H)

■ Standby microcontroller

- 32-bit microcontroller

■ Low power consumption

- Power voltage control technology
- Low power in standby-mode

■ Integrated World-wide DTV Demodulator

- ISDB-T/S
- ATSC / QAM (Cable)
- DVB-T/C (Supports CI/CI+)

■ Integrated high performance Multi-format Video Decoder supports (*1)

- MPEG-1, MPEG-2
- MPEG-4 AVC (H.264)
- VC-1
- DivX 3/4/5/6
- AVS
- Real Video 8/9/10
- VP8
- JPEG

■ Integrated Audio Processor supports (*1)

- MPEG-1 Layer 2/3
- MPEG-2 Layer 2/3
- MPEG-2 AAC (SBR)
- Dolby Digital, Dolby Digital Plus
- DTS, DTS-HD
- WMA 8/9, WMA pro
- Vorbis
- FLAC
- G.726
- WAV, IMA-ADPCM
- DRA
- LPCM

■ Integrated Video Processor

- 3D processor with 2D-to-3D converter
- High quality IP convertor and Noise reducer
- Super-resolution

■ Memory subsystem

- DDR3 (1333Mbps)
- 2 channels, 16-bit width of each channel

*1: To use some of these formats, you may have to acquire a license or perform a software development. In addition, some combinations of audio/video formats may have a limitation to use.

For details, please contact our service representative.

“ARM” and “Cortex” are registered trademarks of ARM Limited.
“HDMI” is a trademark or registered trademark of HDMI Licensing, LLC.

The Products and product specifications described in this document are subject to change without notice for modification and/or improvement. At the final stage of your design, purchasing, or use of the products, therefore, ask for the most up-to-date Product Standards in advance to make sure that the latest specifications satisfy your requirements. All company names, brand names and trademarks herein are property of their respective owners.

Copyright 2016 Socionext Inc.
AD04-00085-1E April 2016

Edited : Visual System Business Unit

Socionext America, Inc.

1250 E. Arques Ave; MS 335
Sunnyvale, CA 94085
(408) 737-5400 | Toll free: (844) 680-3453
www.us.socionext.com
SNA_inquiry@us.socionext.com