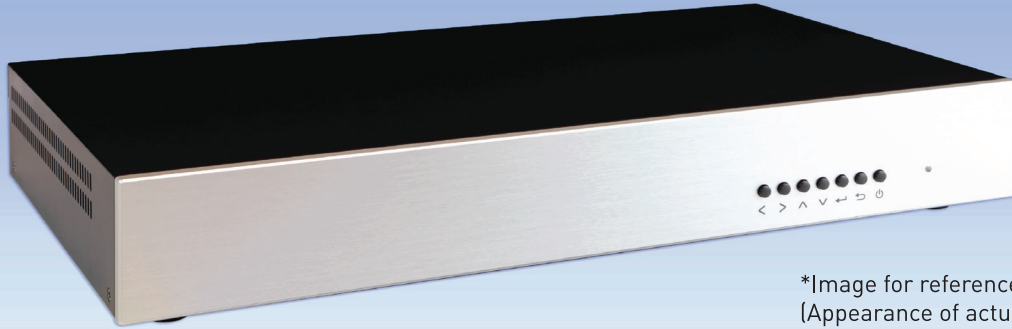


8K Media Player Box “s8”

Experience Ultimate 8K Quality



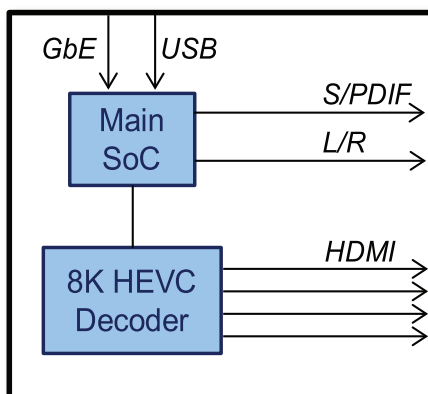
*Image for reference only
(Appearance of actual product may vary.)

■ Features

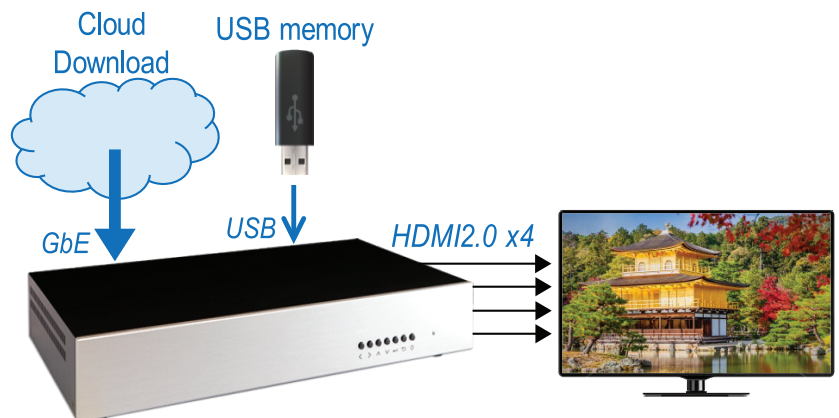
- Industry-leading 8K Solution:
 - Performs local media playback/ cloud distribution of 8K/60p(HEVC) contents
 - Capable of displaying 8K contents on four 4K-monitors as well as a 8K-monitor
- Rich 8K content playback function:
 - Supports playback of contents saved in USB memory, and cloud distribution of contents over Ethernet
- Easy to use:
 - Easy to set-up and operate with simple GUI and front operation panel
 - World's leading*1 compact and lightweight media player powered by Socionext's 8K decoder LSI

*1 As determined by our company study, conducted in November 2017

■ System Configuration



Block Diagram



8K Playback System

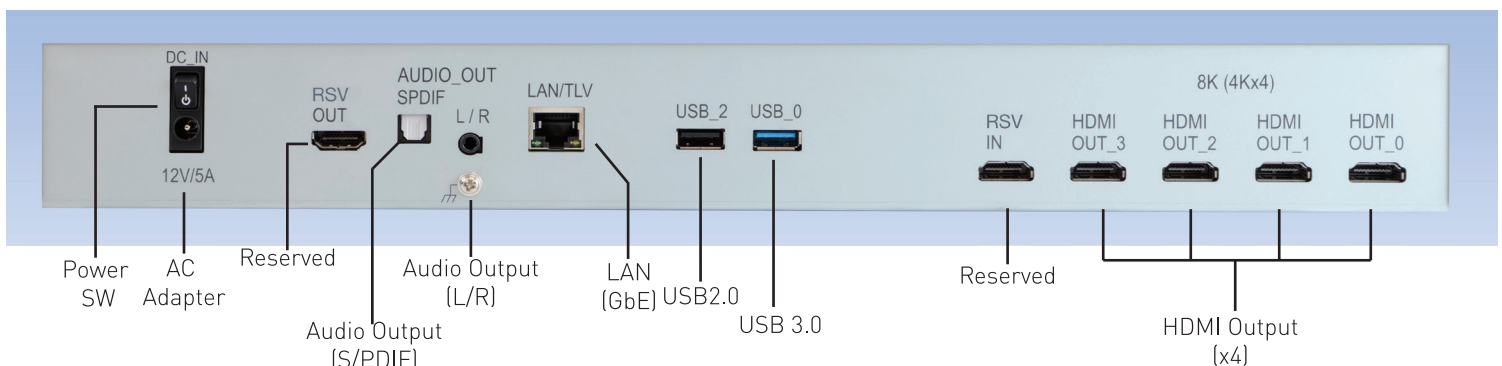
Specifications

Items		Descriptions	
Decoder	Container format	MP4	
	Video	Resolution	7,680 x 4,320pixel
		Frame rate	60fps
		Codec format	HEVC (H.265)
		Video signal format	4:2:0
		Color depth	10/8bit (HEVC)
		Bitrate	200Mbps
	Audio	Codec format	AAC
		Sampling frequency	48kHz
Audio channel		2ch	
I/O	Audio/ Video	HDMI output	HDMI2.0 x4ch - Video: 60Hz (YUV422, 10bit) - Audio: 48kHz
		Audio output	S/PDIF x1, L/R x1
	Stream input	USB3.0 x1, USB2.0 x1, Gigabit Ethernet x1, USB2.0 x1 (Internal)* ²	
Dimensions		410mm(W) x 60mm(H) x 220mm(D)	
Weight		Approx. 2.4kg (w/o AC adapter)	
Power consumption		50W	
Power supply		AC adapter (100v to 240v)	

*2: Internal storage (optional): up to 256GB through USB memory

Rear Panel View

*Appearance of actual product may vary.



The Products and product specifications described in this document are subject to change without notice for modification and/or improvement. At the final stage of your design, purchasing, or use of the products, therefore, ask for the most up-to-date Product Standards in advance to make sure that the latest specifications satisfy your requirements. All company names, brand names and trademarks herein are property of their respective owners.

Copyright 2018 Socionext Inc.
February 2018
Edited: S Project

Socionext America, Inc.
1250 E. Arques Ave. M/S 335, Sunnyvale, CA 94085
Tel: [844] 680-3453 Fax:[408] 737-5444
www.socionextus.com