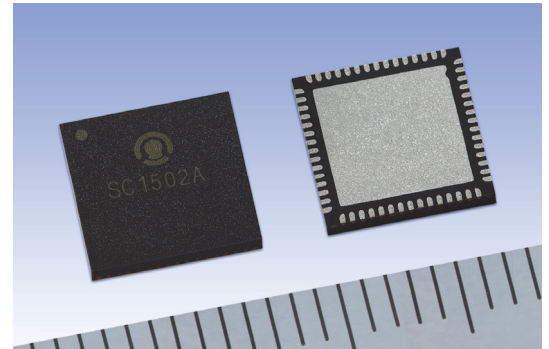


8K/4K TV Demodulator LSI for Japan and Europe SC1502A Series

Overview

"SC1502A" is a demodulator LSI compatible with various digital broadcasting systems including the Japanese 4K/8K satellite digital broadcasting "ISDB-S3" and the latest European satellite digital broadcasting "DVB-S2X".

It has a wide line-up depending on the number of demodulators and the corresponding digital broadcasting system. It is also highly connected to a variety of tuners, providing a low-cost, high-performance digital TV front-end solution.



SC1502A

Features

- Supports many digital broadcasting systems, including the Japanese 4K/8K satellite digital broadcasting "ISDB-S3" and the latest European satellite digital broadcasting "DVB-S2X".
- Wide line-up depending on the number of demodulators (single model/ dual model*1) and the corresponding digital broadcasting system.
- Single and dual models have the same package shape and are pin-compatible and software-compatible, making it easy to deploy customer's set models.
- World's smallest package size*2.

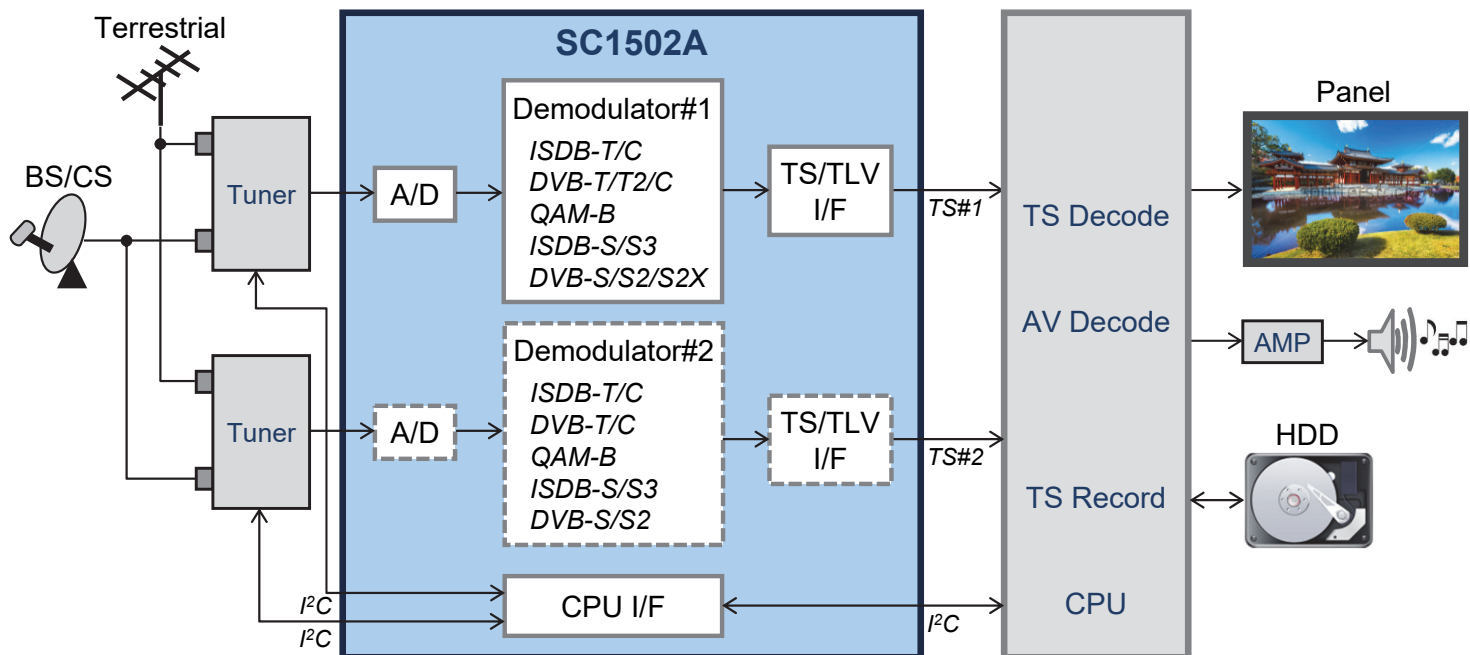
*1: Only one demodulator for DVB-T2/T2-lite. DVB-S2 and ISDB-S3 cannot be demodulated simultaneously.

*2: Among dual models for ISDB-S3. As determined by our company study, conducted in July 2020.

Product Lineup

Product No. (Single/ Dual model)	ISDB-T DVB-T/T2 DVB-T2-Lite	ISDB-S DVB-S/S2 DVB-S2X	ISDB-S3	ISDB-C DVB-C QAM-B	ITU-T J.183
SC1502AF2-01A/ -02A	✓	✓	✓	✓	-
SC1502AF2-01B/ -02B	✓	✓	-	✓	✓
SC1502AF2-01C/ -02C	✓	✓	-	✓	-
SC1502AF2-01D/ -02D	✓	✓	✓	✓	✓

Block Diagram



* The dotted blocks only exist on dual models.

Specifications

Function		Specifications
Product No.		SC1502A
Package		QFN 60pin (7mm x 7mm), 0.4mm lead-pitch
Demodulation	Terrestrial	ISDB-T, DVB-T, DVB-T2, DVB-T2-Lite
	Satellite	ISDB-S, ISDB-S3, DVB-S, DVB-S2, DVB-S2X
	Cable	ISDB-C, DVB-C, J.83 Annex-B, ITU-T J.183
I/F	Input	IF input: Center frequency: Low IF Differential 1V[p-p]/ Single 1V[p-p] IQ input: Differential 1V[p-p]/ Single 1V[p-p]
	Output	TS: Serial, Parallel * Dual model does not support parallel. TLV * TLV is for only ISDB-S3
	CPU I/F	I ² C (Max. 400kbit/s)
Supply Voltage		External I/F: 3.3 V Internal: 0.93V

The Products and product specifications described in this document are subject to change without notice for modification and/or improvement. At the final stage of your design, purchasing, or use of the products, therefore, ask for the most up-to-date Product Standards in advance to make sure that the latest specifications satisfy your requirements. All company names, brand names and trademarks herein are property of their respective owners.

Copyright 2020 Socionext Inc.
AD04-00137-1E August 2020

Edited : Connected Solution Team, Automotive & Industrial Business Group

Socionext America Inc.

2811 Mission College Blvd., 5th Floor
Santa Clara, CA 95054
Tel. +1-408-550-6861; Toll Free: +1-844-680-3453
<http://socionextus.com>